

LAUNDRER COVER SYSTEMS



LAUNDRER COVER SYSTEMS

BENEFITS

- Inhibits algae growth
- Contains odors
- Operates 24/7
- Reduces manpower
- Maintenance free

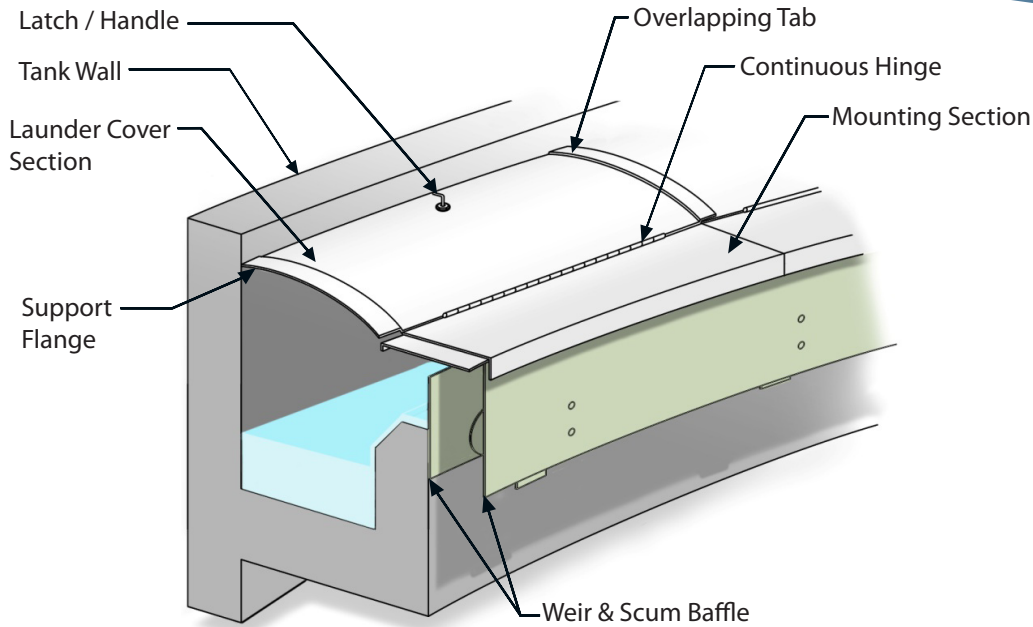
FEATURES

- Hinged cover panels open to tank center
- Stainless steel latch/handle for safety and security
- Attractive arched design
- Restraint cable

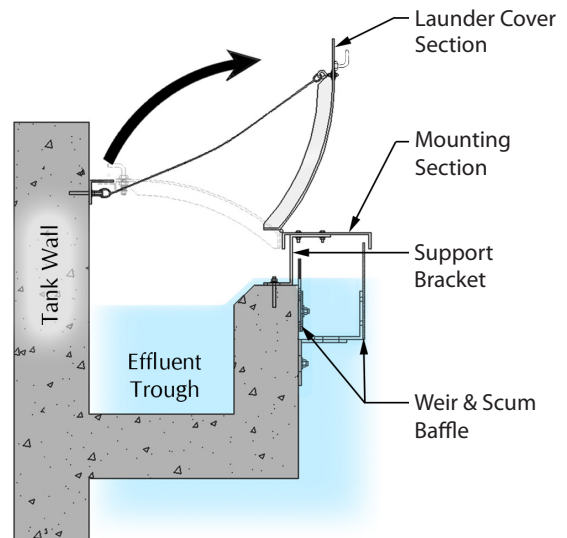
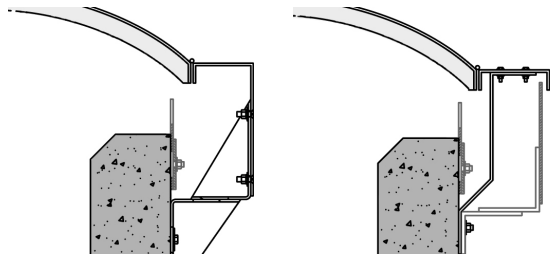


THE CLEAR DIFFERENCE.

REVOLUTIONIZING THE WAY TREATMENT PLANTS DEAL WITH ALGAE



MOUNTING OPTIONS



OTHER COVER PRODUCTS

- Tank-wall mounted
- Weir-wall mounted
- Walk-on
- Inboard launder
- Dual inboard launder
- Channel Covers



For more information visit our web site www.nefcoinnovations.com

Patent No. 5,670,045
 Patent No. 5,965,023
 Patent No. 6,216,881
 Patent No. 6,712,222
 Patent No. 7,473,358
 Patent No. 7,591,381



NEFCO
 4362 Northlake Blvd, Ste 213
 Palm Beach Gardens, FL 33410
 (561) 775-9303